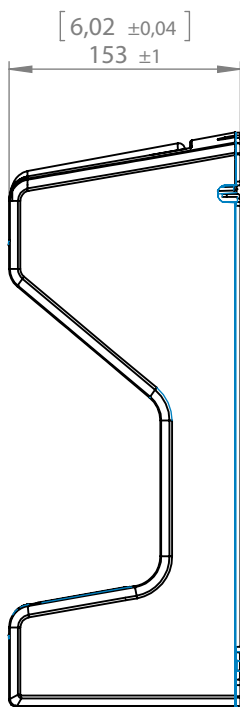
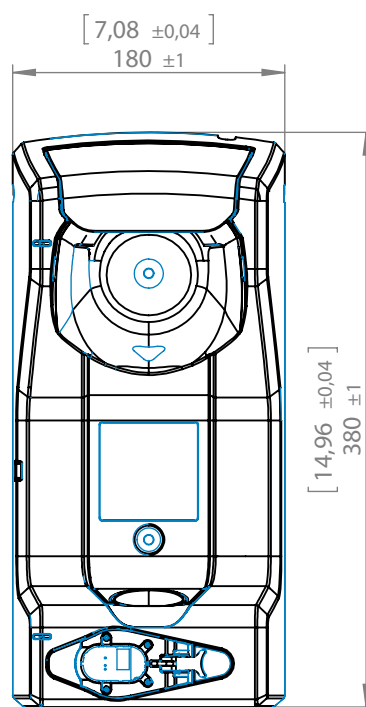


Mounting hole
10x \varnothing 5,0

Mounting hole
6x \varnothing 6,3



[$6,02 \pm 0,04$]
 153 ± 1



[$7,08 \pm 0,04$]
 180 ± 1

[$14,96 \pm 0,04$]
 380 ± 1

