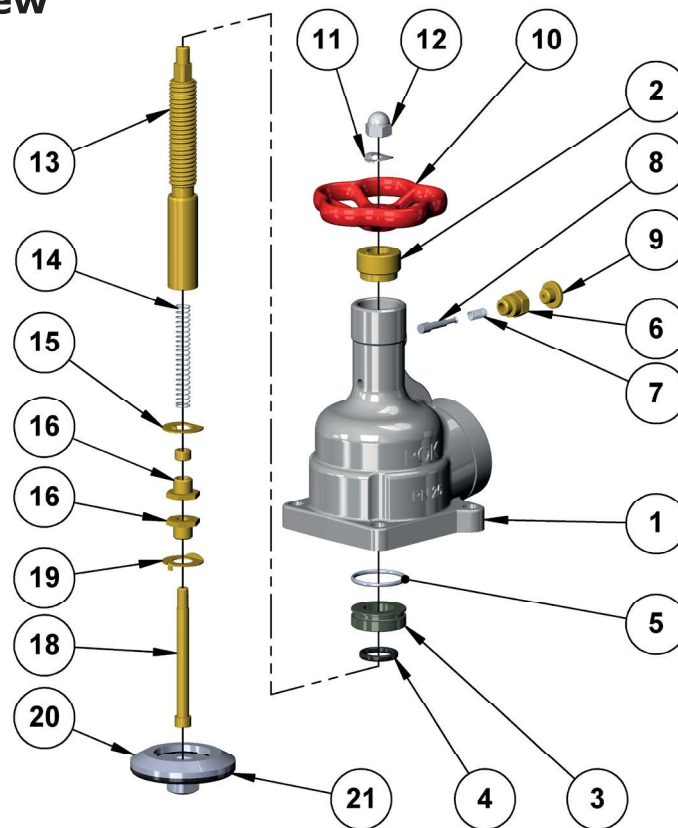


● Exploded view



● Parts list

MARK	QTY	DESCRIPTION	CODE
1	1	BODY	42063
2	1	THREADED RING	28924
3	1	GUIDE	28925
4	1	O'RING R17	
5	1	GASKET Ø34 x Ø3	26834
6	1	BORE	28940
7	1	SPRING	28941
8	1	PISTON	28942
9	1	KNOB	28943
10	1	HANDWHEEL Ø100 x 11	28926
11	1	CRIMPED ELASTIC WASHER - TYPE B Ø10	
12	1	CAP NUT M10	
13	1	SCREW	28929
14	1	SPRING	28930
15	1	WASHER WITH INTERNAL PIN	28931
16	2	CAP	28933
17	1	STOP NUT	28934
18	1	STEM AXLE	28935
19	1	WASHER WITH EXTERNAL PIN	28932
20	1	STEM	28937
21	1	OVERMOLDING FOR VALVE WITH EMBOSING	